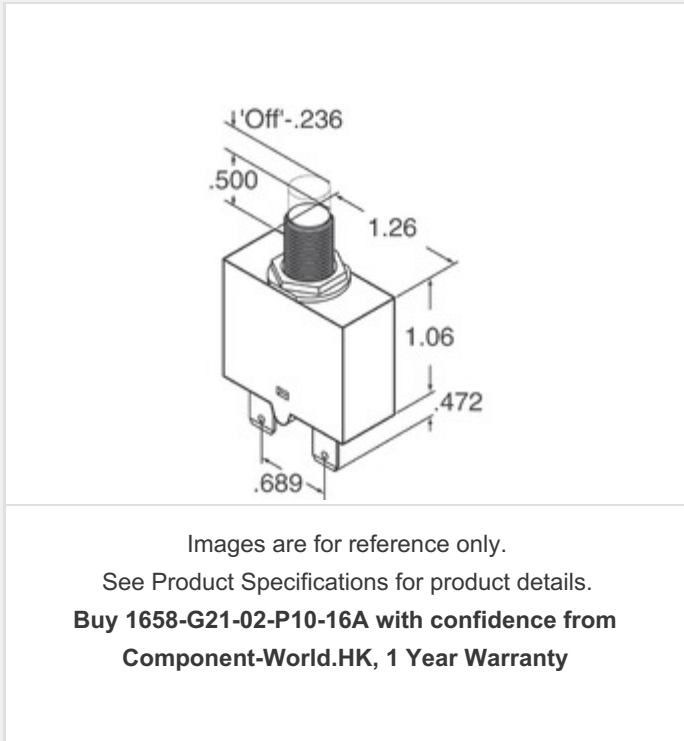


**1658-G21-02-P10-16A**



**Part Number:** 1658-G21-02-P10-16A  
**Manufacturer:** E-T-A  
**Description:** CIR BRKR THRM 16A 240VAC 28VDC  
**Data sheet:** [1658-G21,A00-xx-P\(10,13\)-xx Series](#)

**RoHs Status:** Lead free / RoHS Compliant  
**Ship From:** Hong Kong  
**Shipment Way:** DHL/Fedex/TNT/UPS/EMS

[Request For Quotation](#)

PRODUCT PARAMETER			
Part Number	1658-G21-02-P10-16A	Manufacturer	<a href="#">E-T-A</a>
Description	CIR BRKR THRM 16A 240VAC 28VDC	Lead Free Status / RoHS Status	Lead free / RoHS Compliant
Quantity Available	37524 pcs	Data sheet	<a href="#">1658-G21,A00-xx-P(10,13)-xx Series</a>
Category	<a href="#">Circuit Protection</a>	Voltage Rating - DC	28V
Voltage Rating - AC	240V	Series	1658
Number of Poles	1	Mounting Type	Panel Mount
Moisture Sensitivity Level (MSL)	1 (Unlimited)	Manufacturer Standard Lead Time	9 Weeks
Lead Free Status / RoHS Status	Lead free / RoHS Compliant	Illumination Voltage (Nominal)	-
Illumination	-	Current Rating	16A
Breaker Type	Thermal	Actuator Type	Push to Reset

Component-World.com is a Reliable Stocking Distributor of Electronic Components. We specialize in all E-T-A series electronic components. We have 37524 pieces of E-T-A 1658-G21-02-P10-16A in stock available now. Request a quote from electronics components distributor at Component-World.com, our sales team will contact you within 24 hours.  
RFQ Email: [info@Components-World.com](mailto:info@Components-World.com)

RELATED PRODUCTS			
	Part#: <a href="#">1658-G21-02-P10-6A</a> Description: CIR BRKR THRM 6A 240VAC 28VDC	Manufacturers: <a href="#">E-T-A</a>	<a href="#">RFQ</a>
	Part#: <a href="#">1658-G21-02-P10-5A</a> Description: CIR BRKR THRM 5A 240VAC/28VDC	Manufacturers: <a href="#">E-T-A</a>	<a href="#">RFQ</a>
	Part#: <a href="#">1658-G21-02-P10-055800-15A</a> Description: CIR BRKR THRM 15A 240VAC 28VDC	Manufacturers: <a href="#">E-T-A</a>	<a href="#">RFQ</a>
	Part#: <a href="#">1658-G21-02-P10-8A</a> Description: CIR BRKR THRM 8A 240VAC 28VDC	Manufacturers: <a href="#">E-T-A</a>	<a href="#">RFQ</a>
	Part#: <a href="#">1658-G21-02-P10-055800-12A</a> Description: CIR BRKR THRM 12A 240VAC 28VDC	Manufacturers: <a href="#">E-T-A</a>	<a href="#">RFQ</a>
	Part#: <a href="#">1658-G21-02-P10-13A</a> Description: CIR BRKR THRM 13A 240VAC 28VDC	Manufacturers: <a href="#">E-T-A</a>	<a href="#">RFQ</a>
	Part#: <a href="#">1658-G21-02-P10-30A</a> Description: CIR BRKR THRM 30A 240VAC 28VDC	Manufacturers: <a href="#">E-T-A</a>	<a href="#">RFQ</a>
	Part#: <a href="#">1658-G21-02-P10-055800-16A</a> Description: CIRC BRKR THRM	Manufacturers: <a href="#">E-T-A</a>	<a href="#">RFQ</a>
	Part#: <a href="#">1658-G21-02-P10-20A</a> Description: CIR BRKR THRM 20A 240VAC 28VDC	Manufacturers: <a href="#">E-T-A</a>	<a href="#">RFQ</a>
	Part#: <a href="#">1658-G21-02-P10-055800-8A</a> Description: CIR BRKR THRM 8A 240VAC 28VDC	Manufacturers: <a href="#">E-T-A</a>	<a href="#">RFQ</a>
	Part#: <a href="#">1658-G21-02-P10-D01-12A</a> Description: CIR BRKR THRM 12A 240VAC 28VDC	Manufacturers: <a href="#">E-T-A</a>	<a href="#">RFQ</a>
	Part#: <a href="#">1658-G21-02-P10-12A</a> Description: CIR BRKR THRM 12A 240VAC 28VDC	Manufacturers: <a href="#">E-T-A</a>	<a href="#">RFQ</a>
	Part#: <a href="#">1658-G21-02-P10-35A</a> Description: CIR BRKR THRM 35A 240VAC 28VDC	Manufacturers: <a href="#">E-T-A</a>	<a href="#">RFQ</a>
	Part#: <a href="#">1658-G21-02-P10-9A</a> Description: CIR BRKR THRM 9A 240VAC 28VDC	Manufacturers: <a href="#">E-T-A</a>	<a href="#">RFQ</a>
	Part#: <a href="#">1658-G21-02-P10-25A</a> Description: CIR BRKR THRM 25A 240VAC 28VDC	Manufacturers: <a href="#">E-T-A</a>	<a href="#">RFQ</a>
	Part#: <a href="#">1658-G21-02-P10-10A</a> Description: CIR BRKR THRM 10A 240VAC 28VDC	Manufacturers: <a href="#">E-T-A</a>	<a href="#">RFQ</a>
	Part#: <a href="#">1658-G21-02-P10-055801-25A</a> Description: CIR BRKR THRM 25A 240VAC 28VDC	Manufacturers: <a href="#">E-T-A</a>	<a href="#">RFQ</a>
	Part#: <a href="#">1658-G21-02-P10-7A</a> Description: CIR BRKR THRM 7A 240VAC 28VDC	Manufacturers: <a href="#">E-T-A</a>	<a href="#">RFQ</a>
	Part#: <a href="#">1658-G21-02-P10-15A</a> Description: CIR BRKR THRM 15A 240VAC 28VDC	Manufacturers: <a href="#">E-T-A</a>	<a href="#">RFQ</a>
	Part#: <a href="#">1658-G21-02-P10-055800-20A</a> Description: CIR BRKR THRM 20A 240VAC 28VDC	Manufacturers: <a href="#">E-T-A</a>	<a href="#">RFQ</a>

Related keywords for **1658-G21-02-P10-16A**

E-T-A 1658-G21-02-P10-16A	1658-G21-02-P10-16A distributor	1658-G21-02-P10-16A supplier	1658-G21-02-P10-16A price
1658-G21-02-P10-16A download datasheet	1658-G21-02-P10-16A datasheet	1658-G21-02-P10-16A stock	buy 1658-G21-02-P10-16A
E-T-A 1658-G21-02-P10-16A			